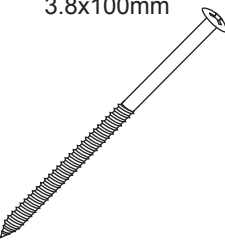

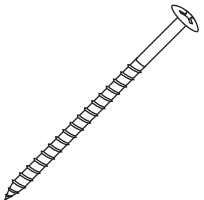
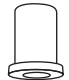
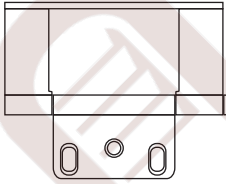
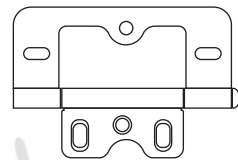

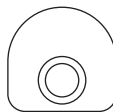

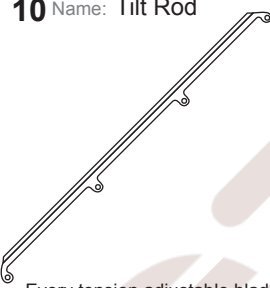

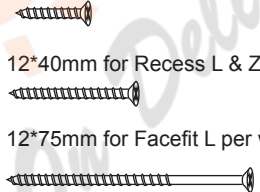
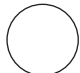
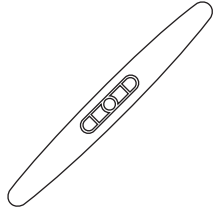

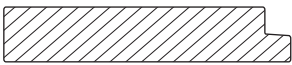

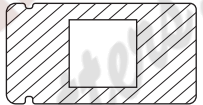
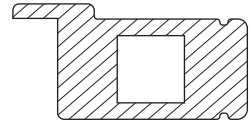
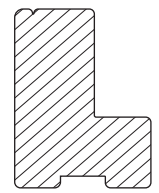
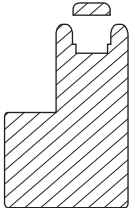
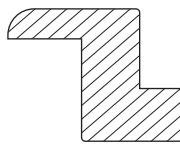
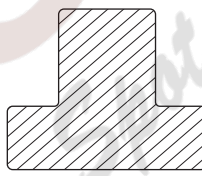

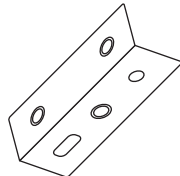

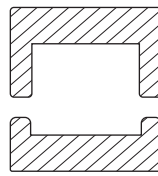
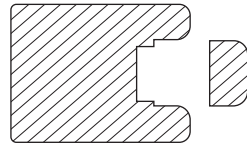
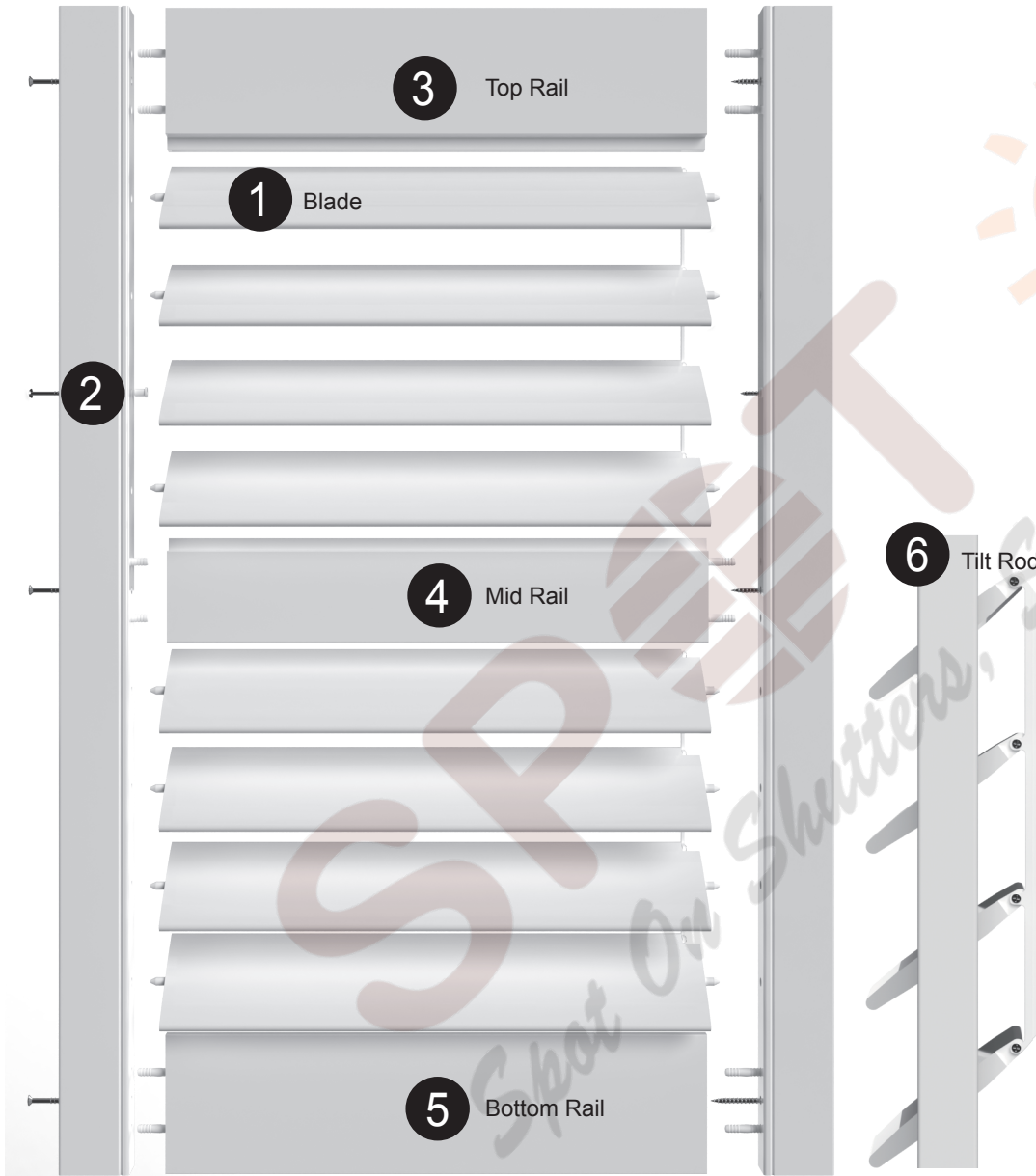


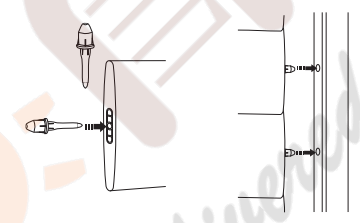
<p>1 Name: Assemble Screw 3.8x100mm</p>  <p>4 screws for each panel, every extra mid rail will have 2 more screws supplied.</p>	<p>2 Name: Plastic Dowel</p>  <p>8 dowels for each panel, every extra mid rail will have 4 more dowels supplied.</p>	<p>3 Name: Tension Screw 3.8x63mm</p>  <p>2 screws with tension washes will be supplied for every tension adjustable blade.</p>	<p>4 Name: Tension Washer</p> 	<p>5 Name: HS L Hinge</p>  <p>Each hangstriped panel will have 2,3 or 4 hinges.</p>	<p>6 Name: NM Hinge</p>  <p>Each framed panel will have 2,3 or 4 hinges.</p>	<p>7 Name: Hinges Screw 3.8x23mm</p>  <p>6 hinges screws will be supplied for each hinge.</p>
<p>8 Name: Single Panel Strike Plate</p>  <p>Each panel will have 2 strike plates with 2 screws.</p>	<p>9 Name: Strike Plate Screw 2.5x15mm</p> 	<p>10 Name: Tilt Rod</p>  <p>Every tension adjustable blade has one tilt rod, screw numbers match tilt rod holes.</p>	<p>11 Name: Tilt Rod Screw 2x22mm</p> 	<p>12 Name: 6*23mm for UC & Direct Mount per window 12*40mm for Recess L & Z per window 12*75mm for Facefit L per window</p>  <p>13 Name: Screw Cover</p> 	<p>14 Name: Blades/Louvers</p>  <p>Blades/Louvers are the main part of shutter panel.</p>	<p>15 Name: Blade Pin</p>  <p>Each blade will have 2 pins except for the tension adjustable blades.</p>
<p>16 Name: Top/Bottom Rails</p>  <p>Each panel has one top and one bottom rails, they are same shape only heights may variable.</p>	<p>17 Name: Mid Rail</p>  <p>Mid rail only available when panel height over 1600mm or special requested.</p>	<p>18 Name: Square Stile</p>  <p>Each panel has two symmetrical stiles.</p>	<p>19 Name: Astragal Stile</p>  <p>When layout has L-DR, astragal stile will be installed at left side of Right Panel.</p>	<p>20 Name: SL Frame</p>  <p>Each window will have 3 or 4 pecs, N/A if layouts are NO Frame, U channels and Hangstrips.</p>	<p>21 Name: HL Frame</p>  <p>Each window will have 4 pecs, N/A if layouts are NO Frame, U channels and Hangstrips.</p>	
<p>22 Name: Z Frames</p>  <p>Each window will have 3 or 4 pecs, N/A if layouts are NO Frame, U channels and Hangstrips.</p>	<p>23 Name: Tpost</p>  <p>Tposts will be supplied only if layout has T.</p>	<p>24 Tpost Screw 3.8x18.5mm</p>  <p>Each tpost will have 2 brakets and 10 screws.</p>	<p>25 Tpost Bracket</p> 	<p>26 Name: Light Block</p>  <p>Light Block applies to HS and 3-sides frames with T-posts.</p>	<p>27 Name: U Channel (UC)</p>  <p>Set of Top (left) and Bottom (right) will be supplied if Layout is UC, no hinges supplied.</p>	<p>28 Name: Hangstrip (HS)</p>  <p>2 hangstrips supplied for each window, only L shaped hinges will be supplied.</p>

Note: Not all shutters have all parts listed above.

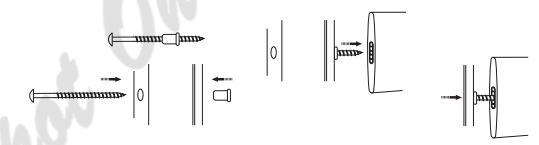
Panel Assemble



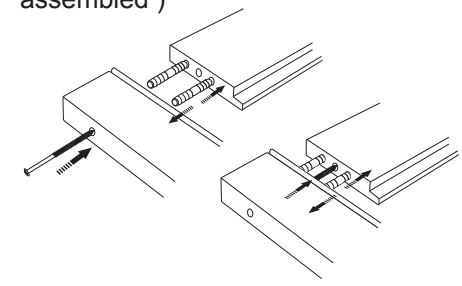
1 Insert blade pin into central holes & stile holes.



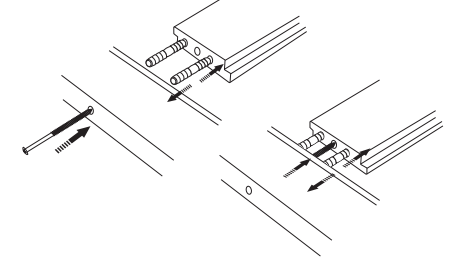
2 Insert tension washers into stile holes, the cross the screw from the other side of the hole, tight slowly after all blades assembled.



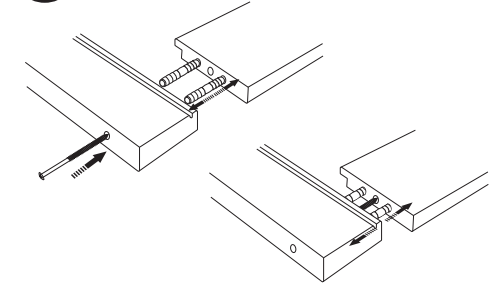
3 Insert plastic dowels into stile holes FIRST then rail holes. (Screws can be tightened after all blades and rails assembled)



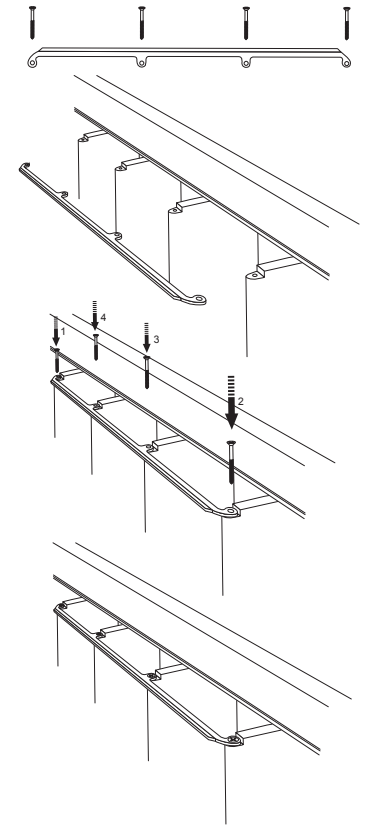
4 Same as Step 3



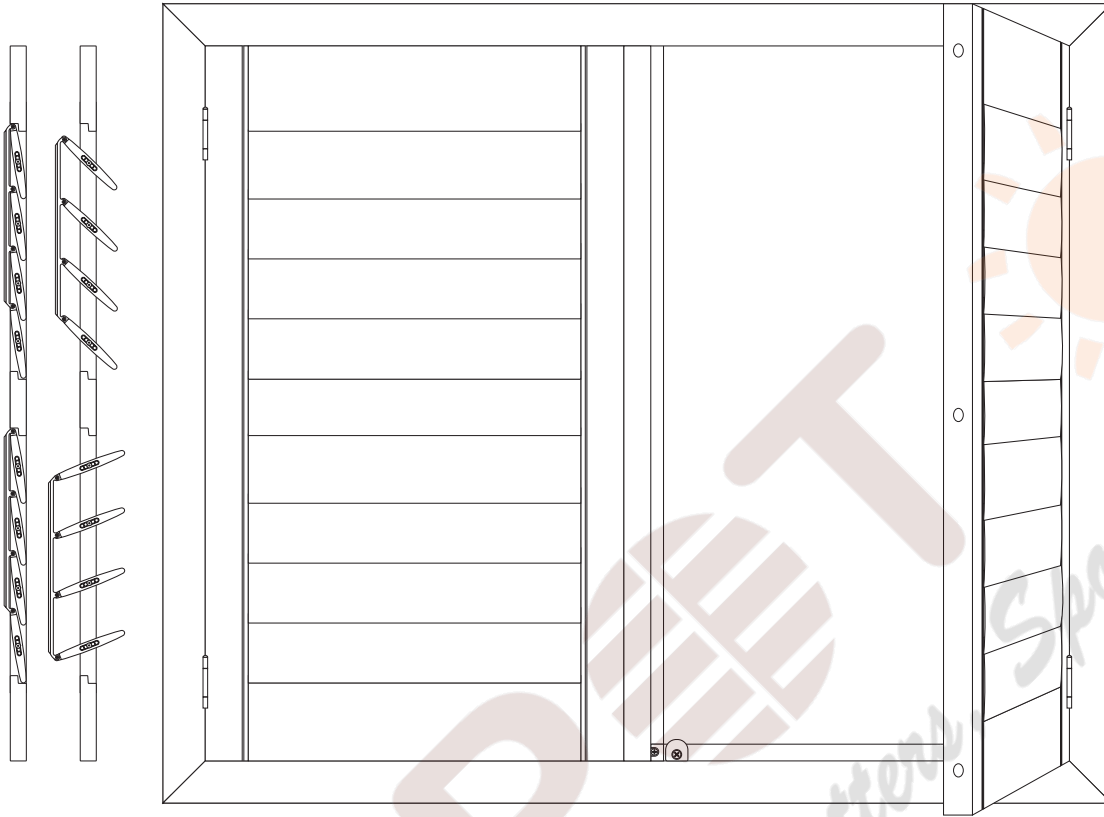
5 Same as Step 3



6 Face tilt rod screw holes up. Put first & last screws in the notched blade holes. Tight the screws slowly, do not screw too tight.



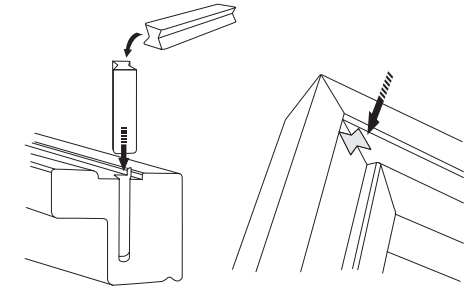
Installation



1. Lay frames on floor, check the frames with LRTB.

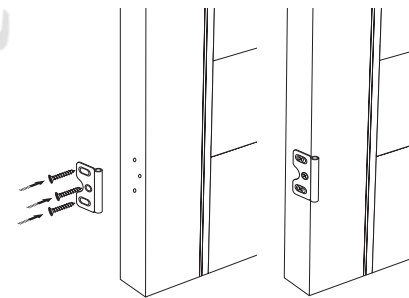


2. Insert hoffman keys into slots.

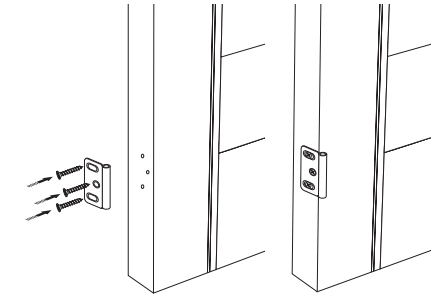


Check the frame bottom with L R T B (Left, Right, Top, Bottom)

3. Attach hinge plate to panel side, holes were predrilled on the stiles.

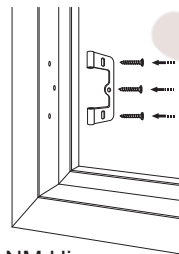


NM Hinge



HS L Hinge

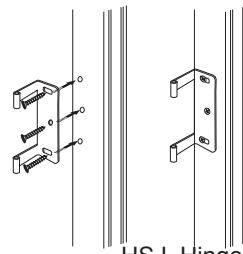
4. Attach hinge plate to frame side, Top & bottom hinge holes were predrilled on the frame.



NM Hinge

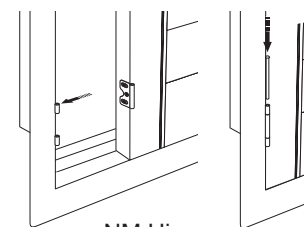


Attach panel side hinge by (23mm) 3 screws.

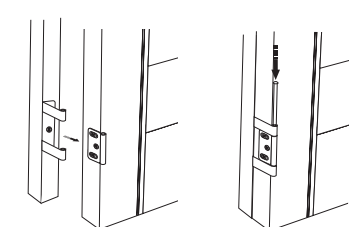


HS L Hinge

5. Hang the panel to frame by insert top & bottom hinge pins.



NM Hinge

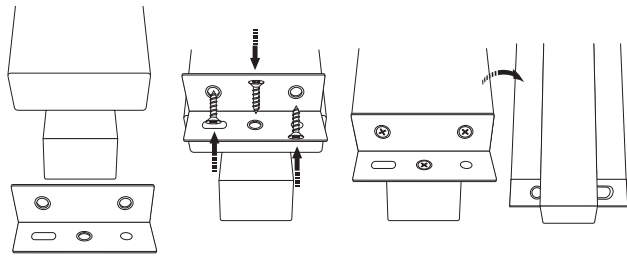


HS L Hinge

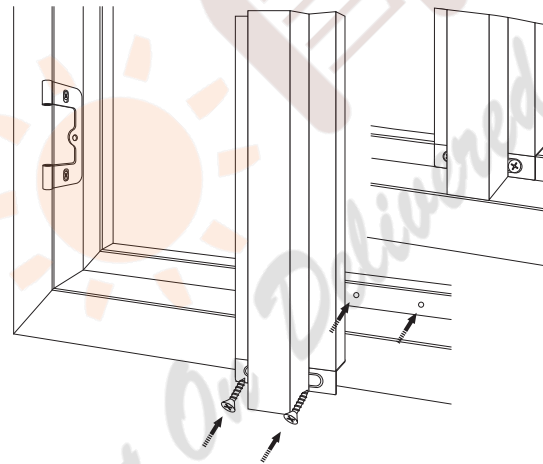
Match the hinge part, insert top & bottom hinge pins.

Installation

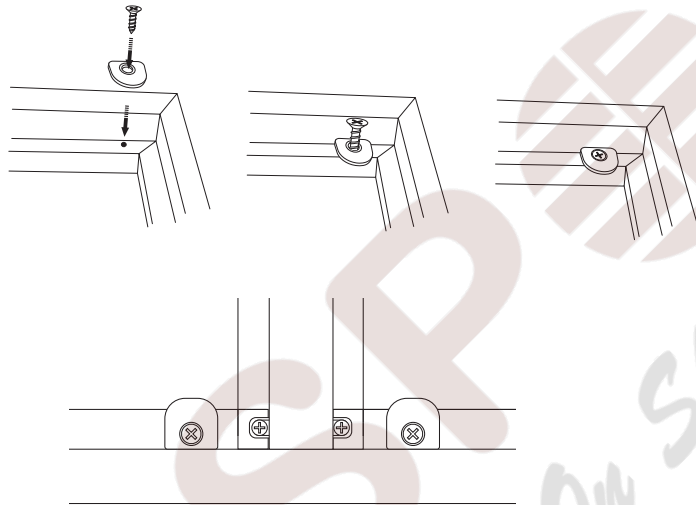
6. Attach T post L plates into T post rabbets by 18mm screws.



7. Hang the panel first, hold the T post, screw the oval hole of L plate only. So you can adjust the gap afterward.



8. Attach the magnet plate at the top & bottom.



Tpost on lightblock. (Direct Mount, 3 side frames, No frame)